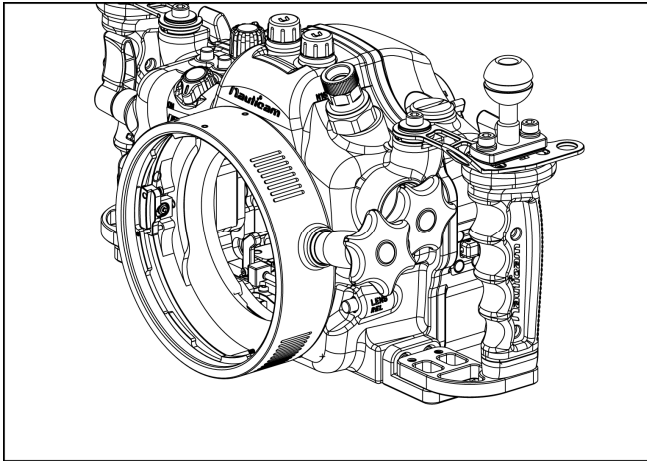


37303 N100 to N120 35.5mm port adaptor with zoom/focus knob (for NA-A7II)

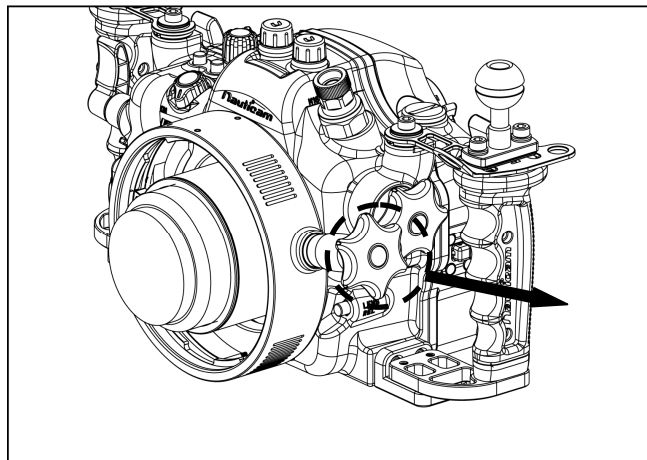
Instruction Manual

Please follow the instructions below to mount the adaptor on a port.



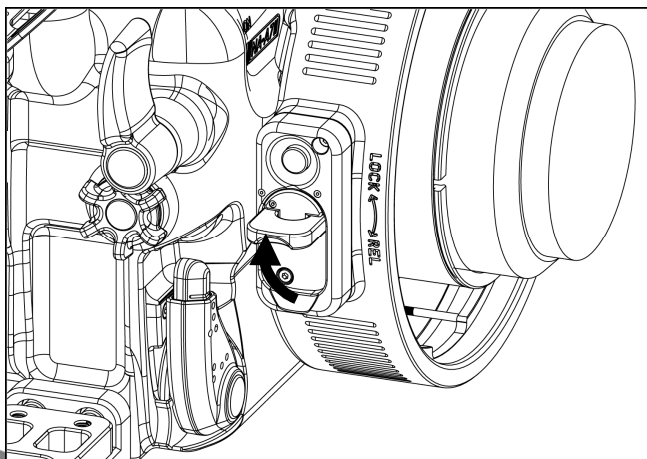
1. Install the camera body only into the housing and mount the adaptor to the housing.

*Please refer to the housing manual for installing camera and mounting port to the housing.

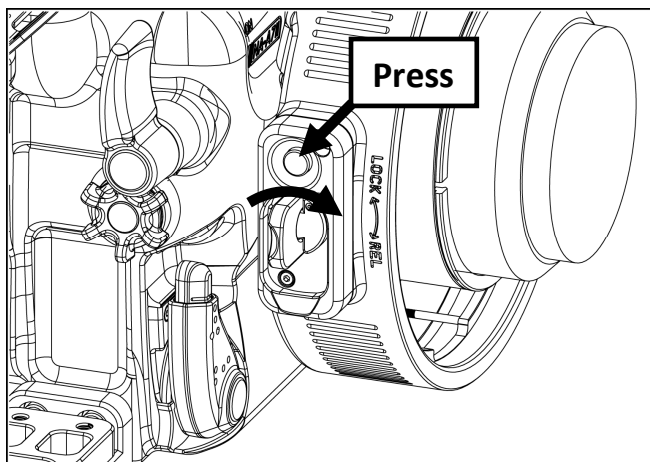


2. Mount the lens (with gear attached) on the camera.

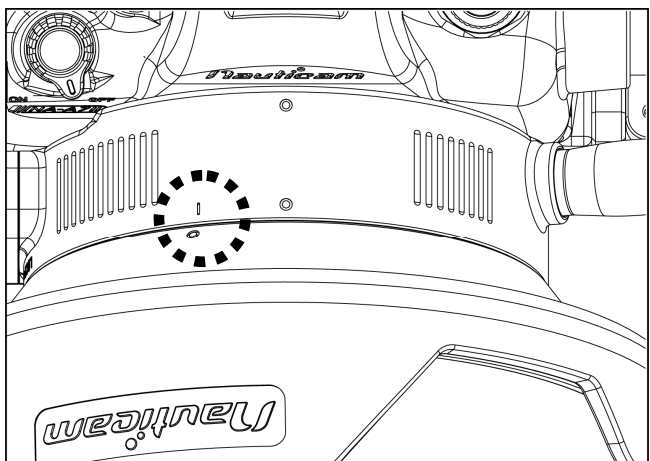
*Make sure that the knob on the adaptor is at its most outward position before mounting/ dismounting the lens. The knob should be left at this position until it is made sure that the lens and gear is properly installed.



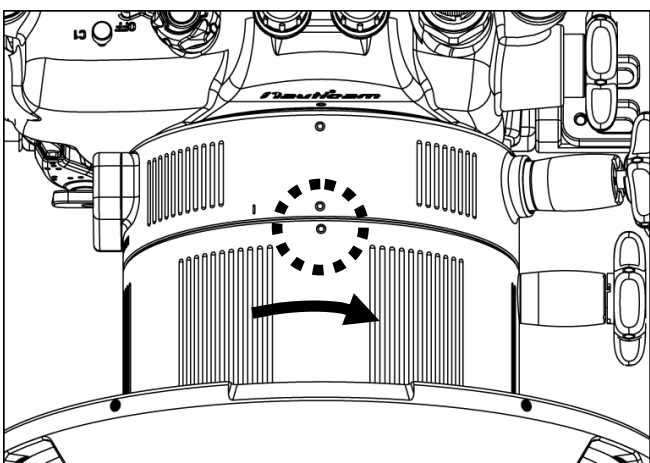
3. Lift the Port lock/ release latch on the other side of the adaptor.



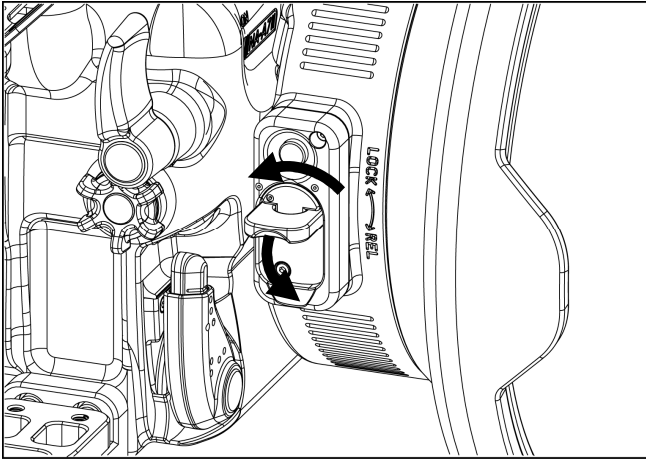
4. Press and hold the port release safety button, turn the port lock/release latch clockwise until it stops.



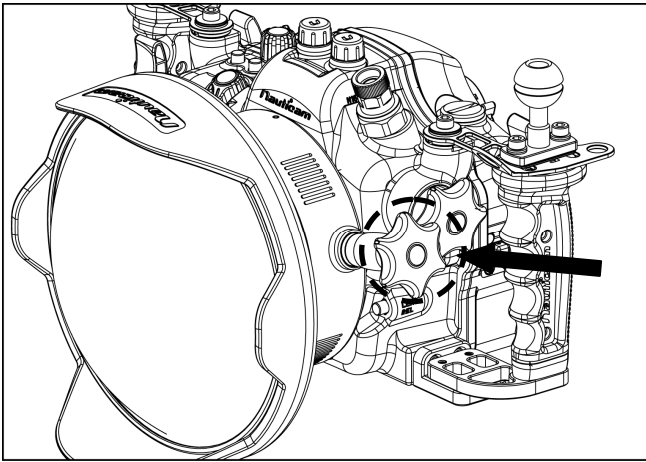
5. Align the "I" mark on the adaptor with the WHITE dot on the port. Gently push the extension ring towards the port until it cannot go in any further.



6. Turn the port clockwise until the white dot on the adaptor aligns with the white dot on the port.



7. To lock the port in place, turn the port lock/release latch anti-clockwise to the original position and then flip it down.



8. Engage the gear on the lens by pushing the knob inwards, then turn the knob both ways to check if the lens is functioning.
9. To unlock, reverse the above procedures.